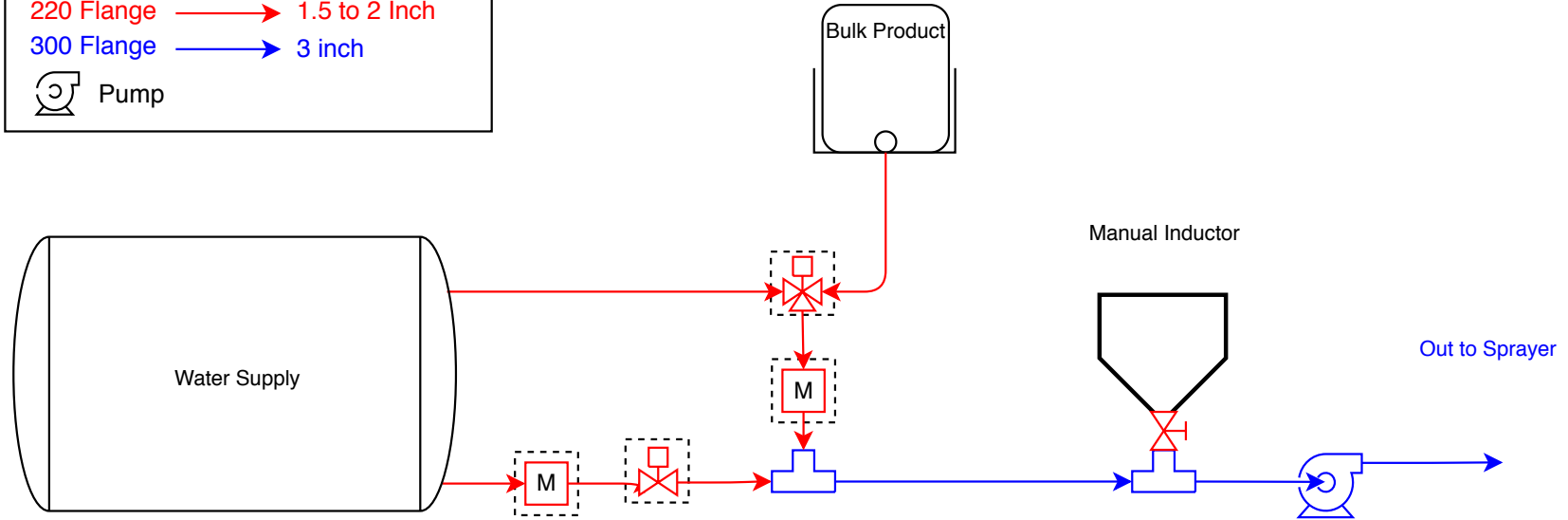
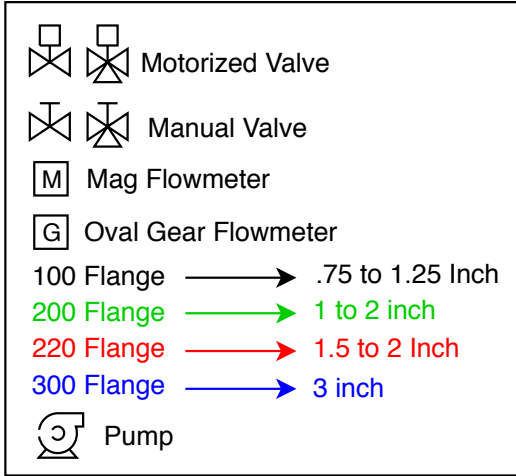


# Water and Concentrate Mobile System

Diagram FL-3



Separate meters and valves are used for the water and concentrate. A three-way valve is used for the concentrate to increase water flow and to rinse the concentrate meter. Both will flow so the concentrate will be mixed with water in the line during the first part of the mix. The mix will end with water so the pump and hose will be rinsed with water. The Mixmate components are in the dashed boxes.