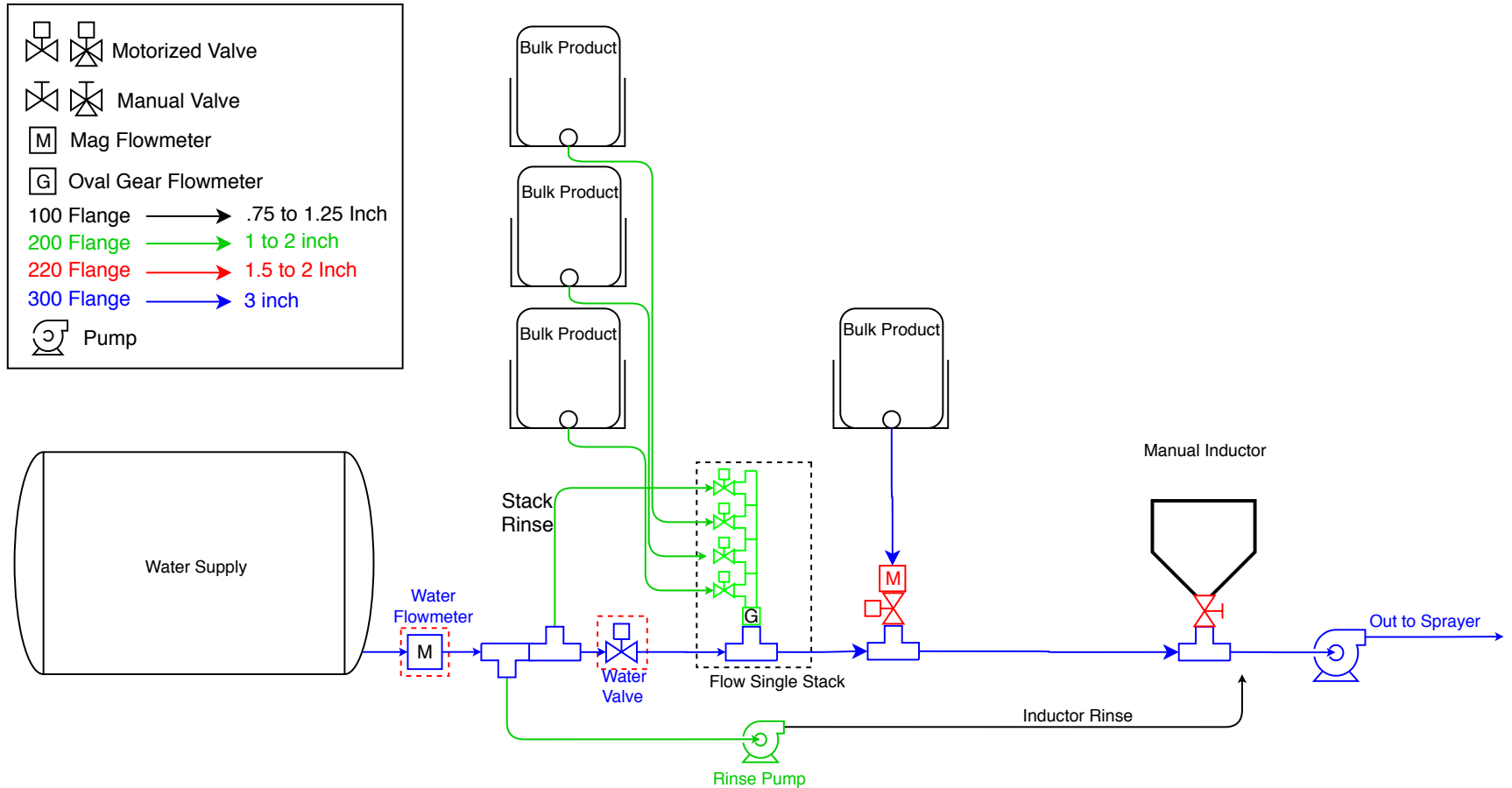


Single Stack and 2" Single Input Plumbing Diagram

Diagram ST-3



Mixmate three input Single Stack. All chemicals in the stack are measured with gear type flowmeter. An input with a two inch magmeter and valve will measure at the same time as the Flow Stack. This configuration is good for fertilizers and thick chemical that can be measured with a magmeter. The price of this configuration is: \$12,960 Consult your dealer for variations to this configuration.

Optionally add the three inch valve and flowmeter to automatically measure and control the water in the mix. \$4,098

The Rinse Pump supplies pressurized rinse water to the Inductor and jug rinse.

Kits: K1b, K18, K46, K33, K50, E1, E67, E27