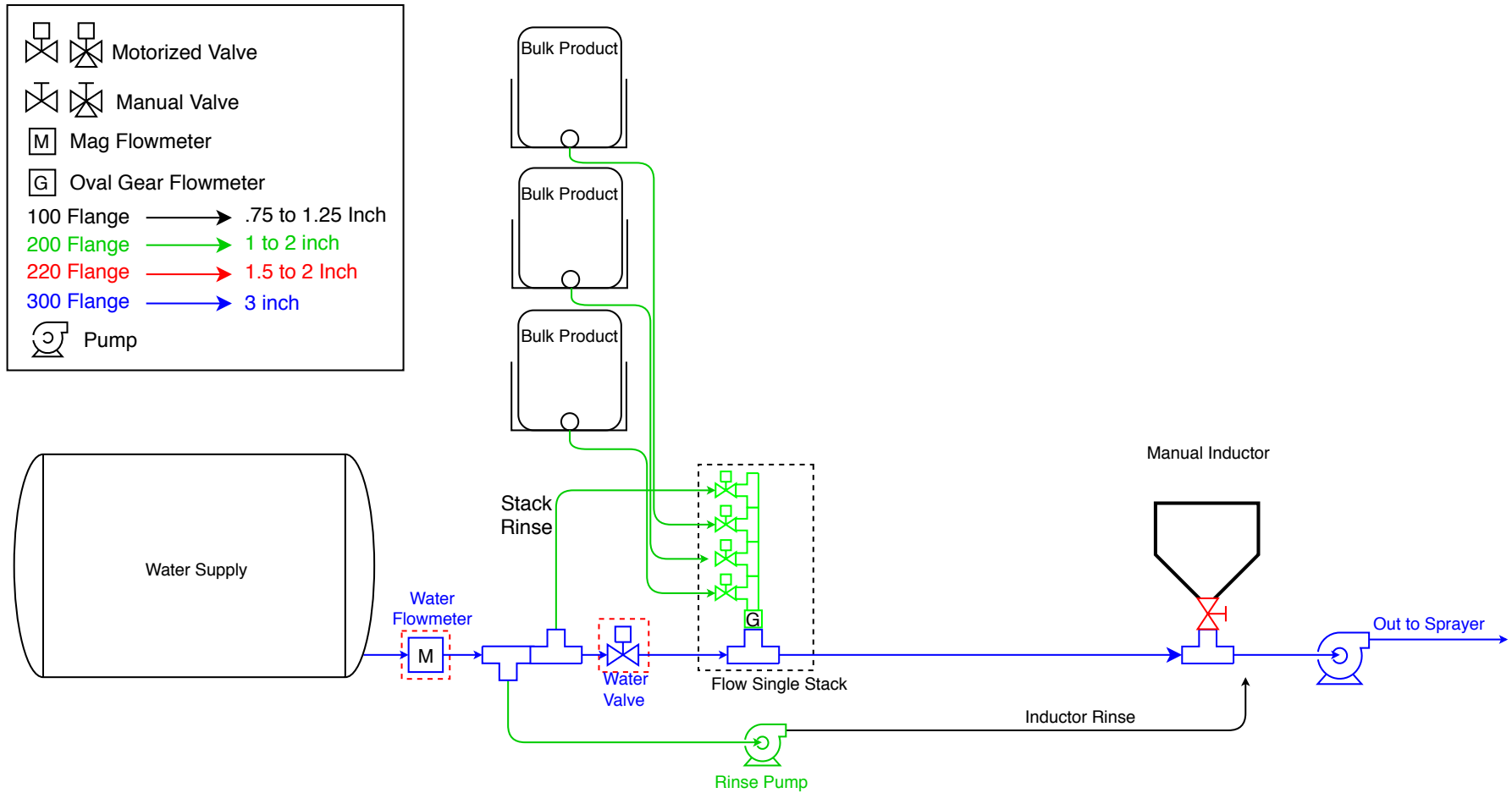


### 3 Input Single Stack Plumbing Diagram

Diagram ST-1



Mixmate three input Single Stack. All chemicals are measured with gear type flowmeters. One bulk chemical will be measured simultaneously while using the inductor. The price of this configuration is: \$10,197 Consult your dealer for variations to this configuration.

Optionally add the three inch valve and flowmeter to automatically measure and control the water in the mix. \$4,098

The Rinse Pump supplies pressurized rinse water to the Inductor and jug rinse.  
The Manifold Rinse may also be pressurized by the Rinse Pump as a variation to this diagram.