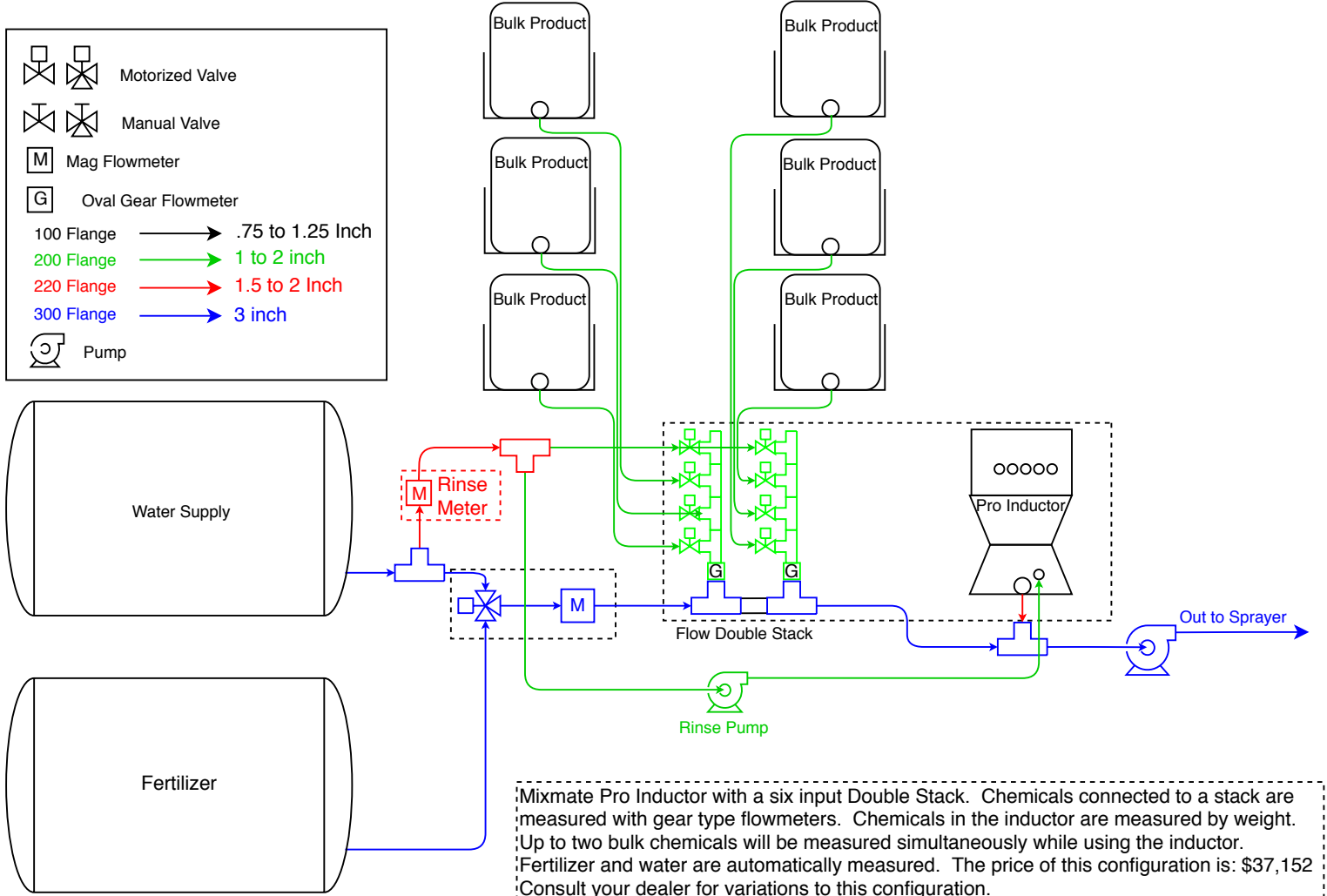


Mixmate Pro 6 Input Double Stack Bulk Plumbing Diagram

Diagram PR-6



Mixmate Pro Inductor with a six input Double Stack. Chemicals connected to a stack are measured with gear type flowmeters. Chemicals in the inductor are measured by weight. Up to two bulk chemicals will be measured simultaneously while using the inductor. Fertilizer and water are automatically measured. The price of this configuration is: \$37,152. Consult your dealer for variations to this configuration.

The rinse meter is a paddle type meter to substitute a magmeter instead of the paddle meter add \$740. Kit K33 replaces K39.

Kits: K1a, K2a, K18, 2-K46, K34, K53, K39