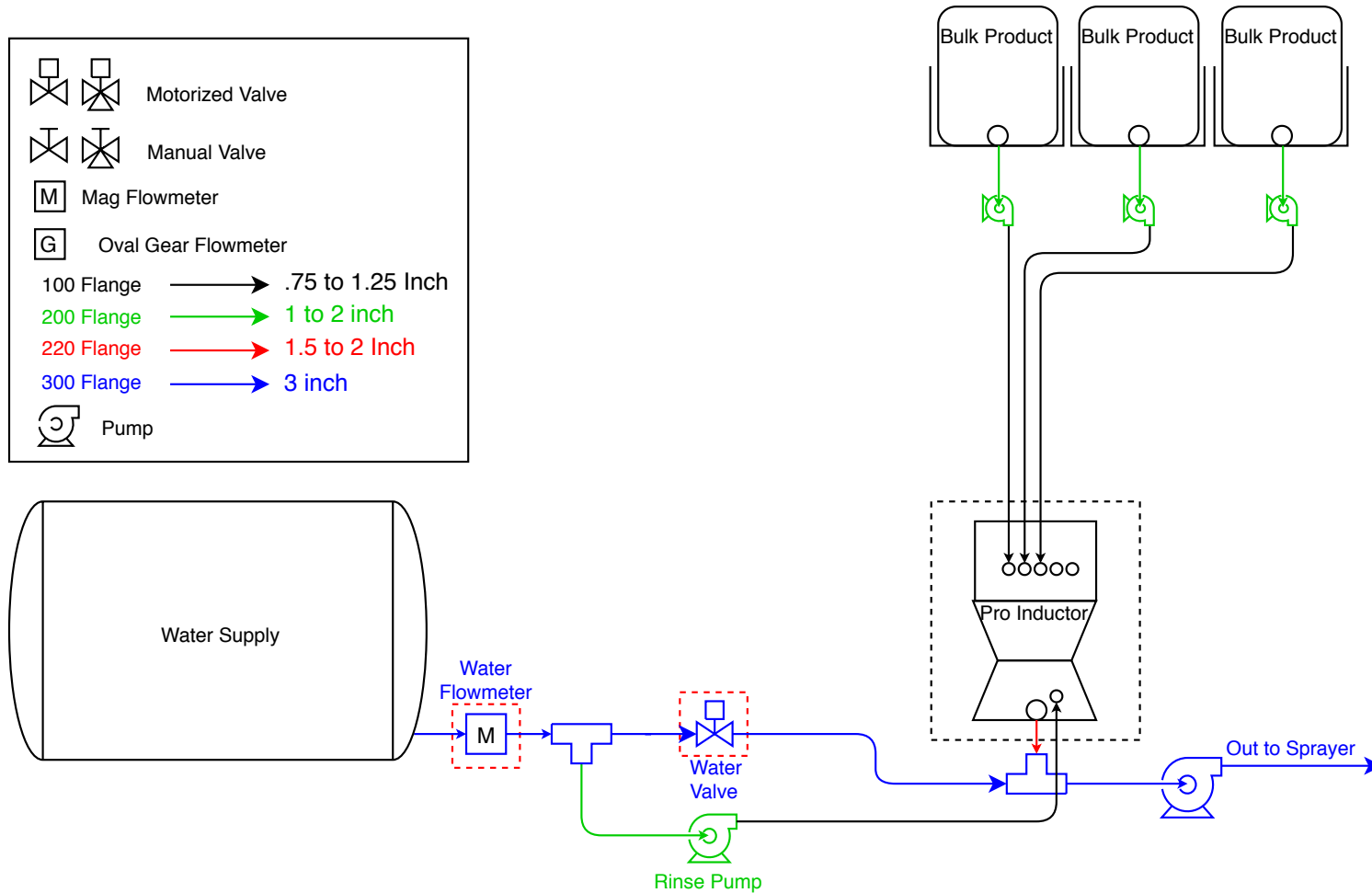
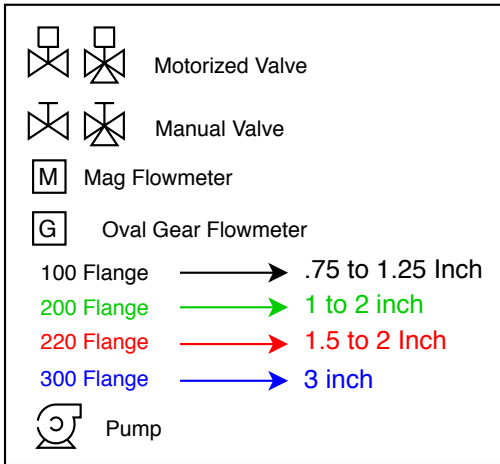


# Mixmate Pro 3 Input Plumbing Diagram

Diagram PR-3



Mixmate Pro Inductor with three bulk valves. Chemicals connected to the inductor are measured by weight. The price of this configuration is: \$20,495 Consult your dealer for variations to this configuration.

Optionally add the three inch valve and flowmeter to automatically measure and control the water in the mix. \$4,098