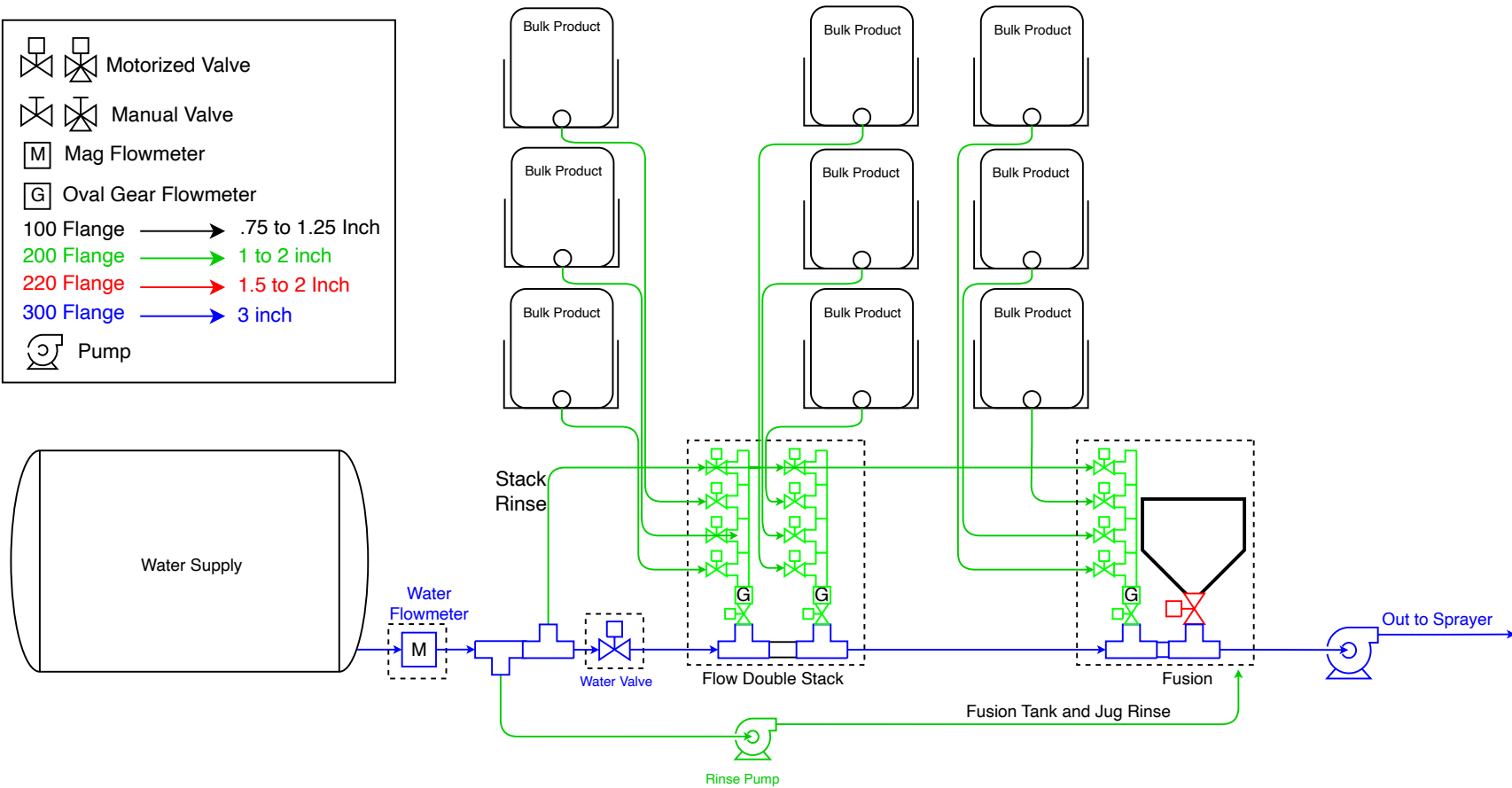
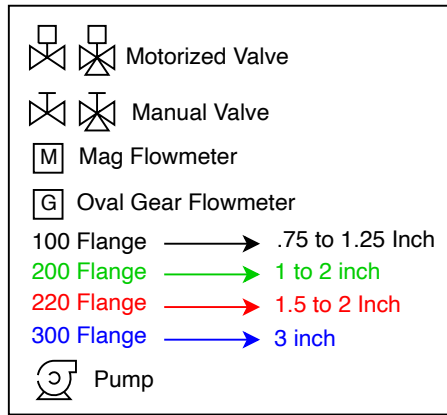


Mixmate Fusion 9 Input Double Stack Plumbing



Mixmate Fusion with a three input stack and a six input Double Stack for a total of nine inputs.
 Up to three bulk products will be measured simultaneously while jug and dry products are measured by weight in the inductor.