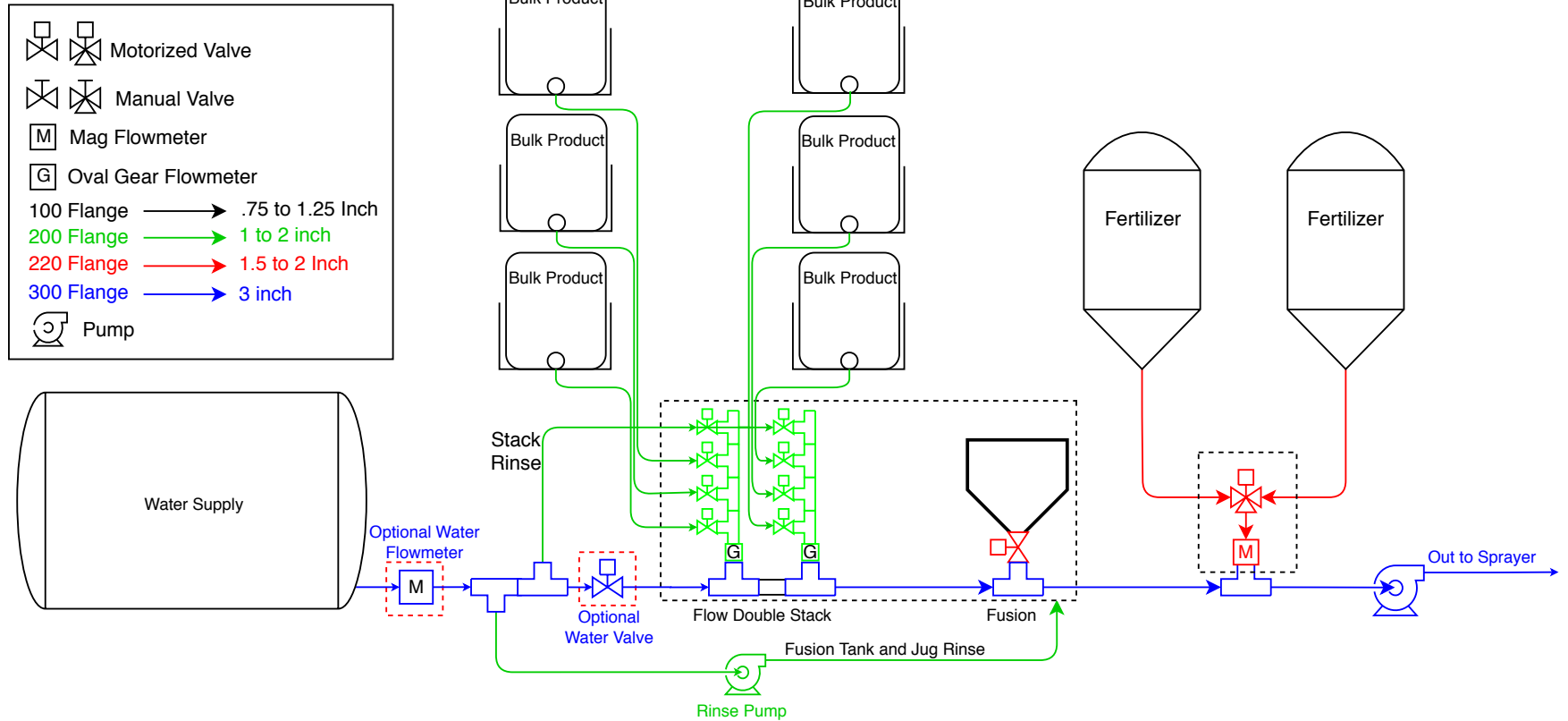


Mixmate Fusion 8 Input Double Stack Plumbing Diagram

Diagram FS-8



Mixmate Fusion and a six input Double Stack. All chemicals are measured with gear type flowmeters. Up to two bulk chemicals will be measured simultaneously while using the inductor. The price of this configuration is: \$30,242 Consult your dealer for variations to this configuration.

Optionally add the three inch valve and flowmeter to automatically measure and control the water in the mix. \$4,098

The Rinse Pump supplies pressurized rinse water to the Inductor and jug rinse.
 The Manifold Rinse may also be pressurized by the Rinse Pump as a variation to this diagram.
 Kits: K1a, K3, K18, 2-K46, K34, K52, K40, K33, K51