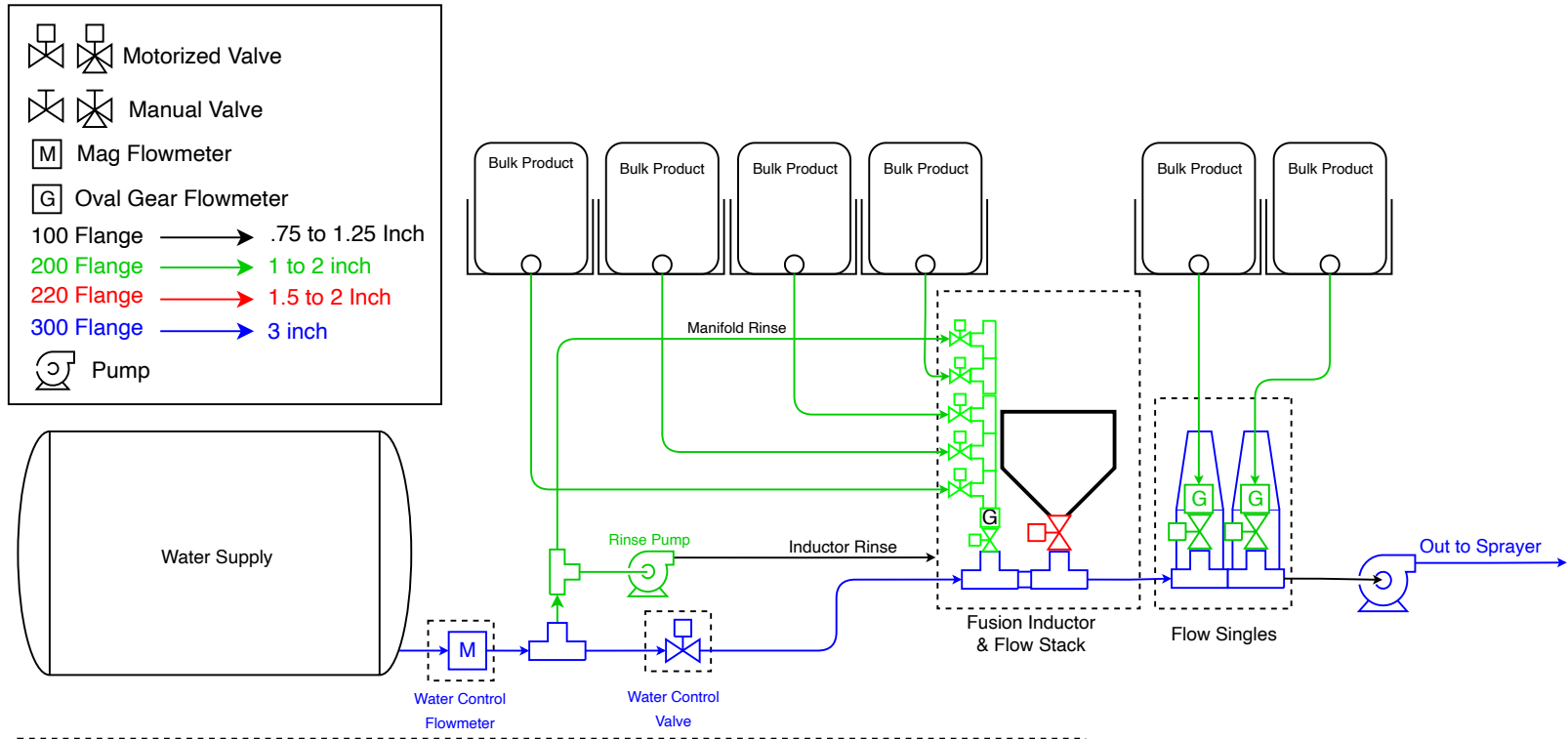


Mixmate Fusion with 6 Inputs Plumbing Diagram



Mixmate Fusion with a three input stack. All bulk chemicals are measured with a gear type flowmeter. Three bulk chemicals will be measured simultaneously while using the inductor. A Stack add-on valve and two Flow Singles complete this six input system. Consult your dealer for variations to this configuration.

