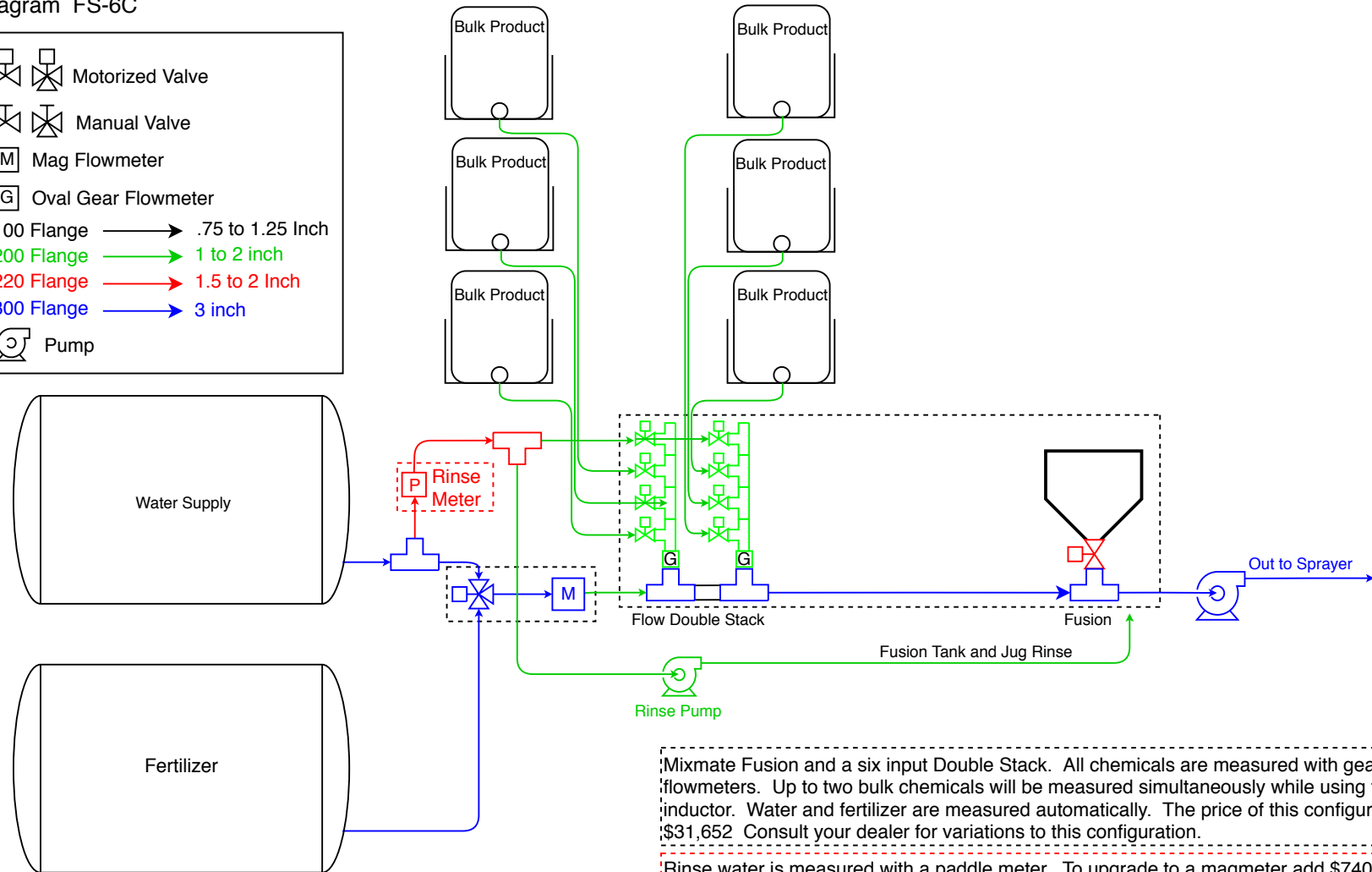
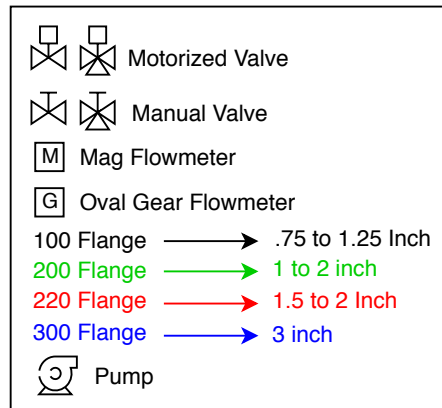


Mixmate Fusion 6 Input Double Stack with Fertilizer Plumbing Diagram

Diagram FS-6C



Mixmate Fusion and a six input Double Stack. All chemicals are measured with gear type flowmeters. Up to two bulk chemicals will be measured simultaneously while using the inductor. Water and fertilizer are measured automatically. The price of this configuration is: \$31,652 Consult your dealer for variations to this configuration.

Rinse water is measured with a paddle meter. To upgrade to a magmeter add \$740. Kit K39 is replaced with K33.

The Rinse Pump supplies pressurized rinse water to the Inductor and jug rinse. The Manifold Rinse may also be pressurized by the Rinse Pump as a variation to this diagram. Kits: K1a, K3, K18, 2-K46, K34, K53, K39