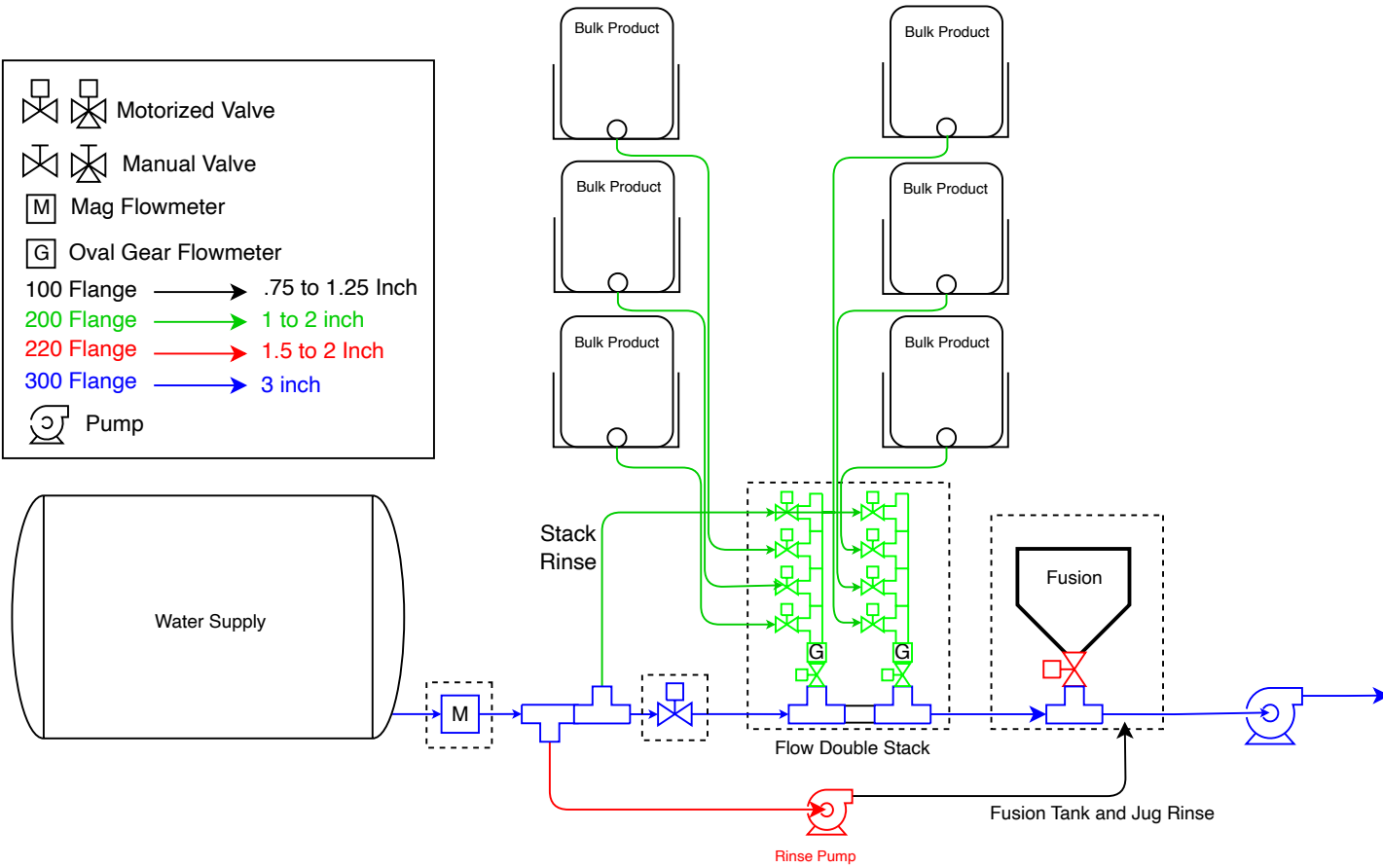
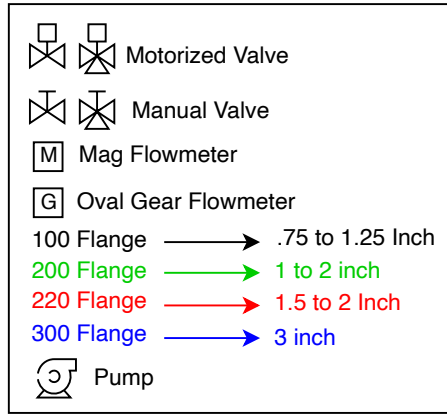


Fusion 6 Input Double Stack



Mixmate Fusion and a six input Double Stack. All chemicals are measured with gear type flowmeters. Up to two bulk chemicals will be measured simultaneously while using the inductor. Water is measured automatically. Mixmate components in the dashed box.