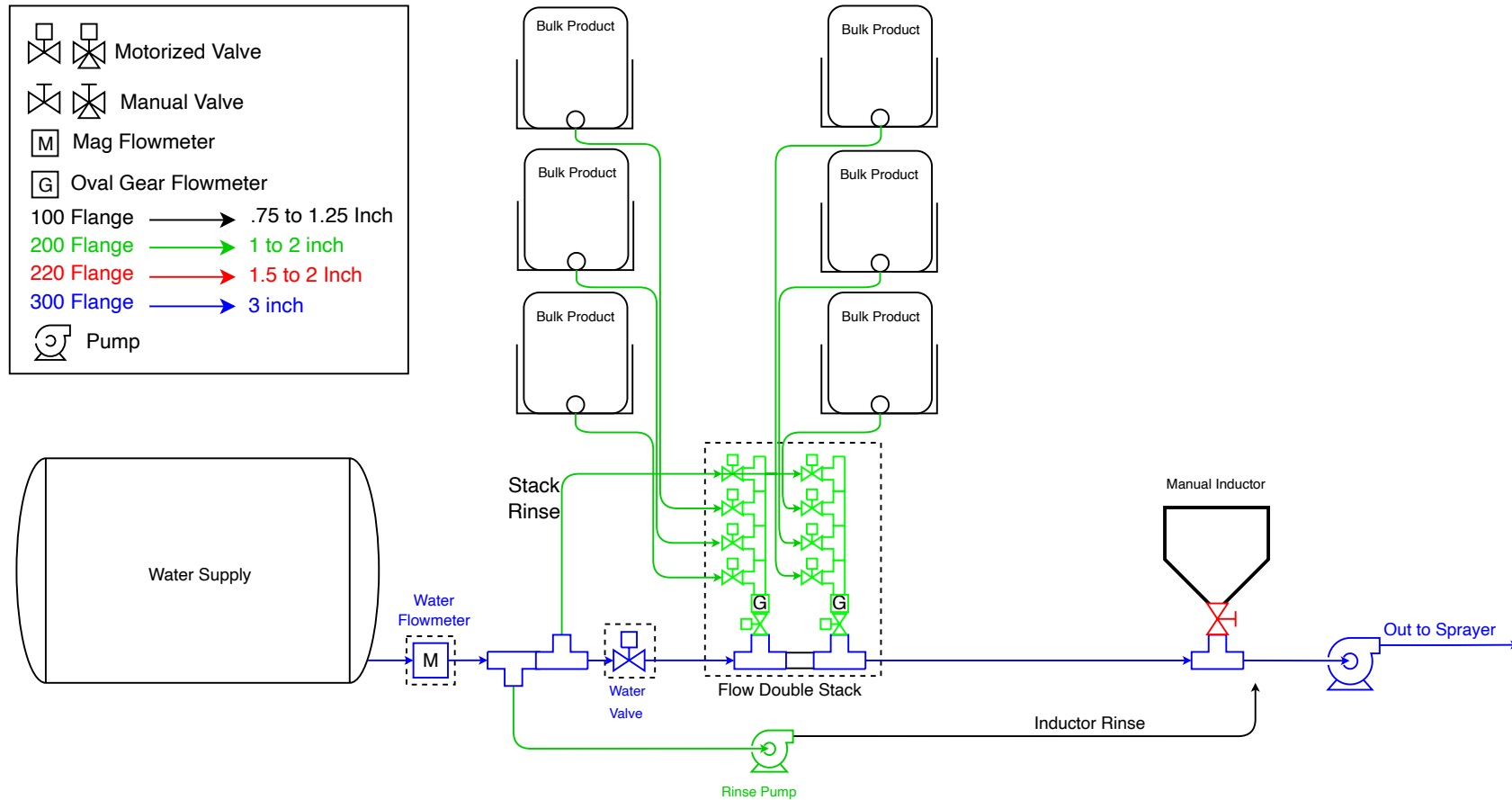


## 6 Input Double Stack Plumbing Diagram



Mixmate six input Double Stack. All chemicals are measured with gear type flowmeters. Up to two bulk chemicals will be measured simultaneously while using the inductor. Consult your dealer for variations to this configuration.