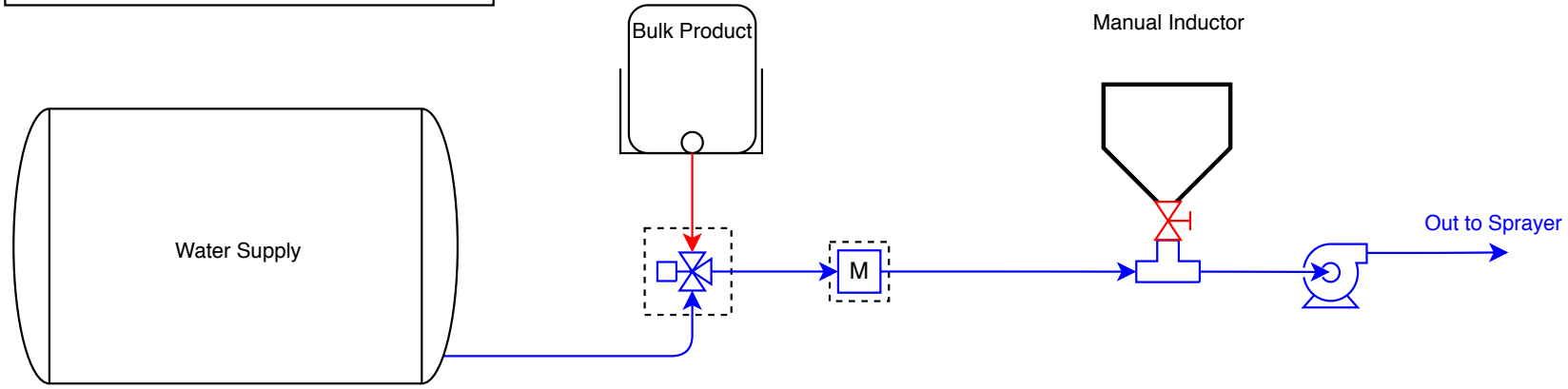
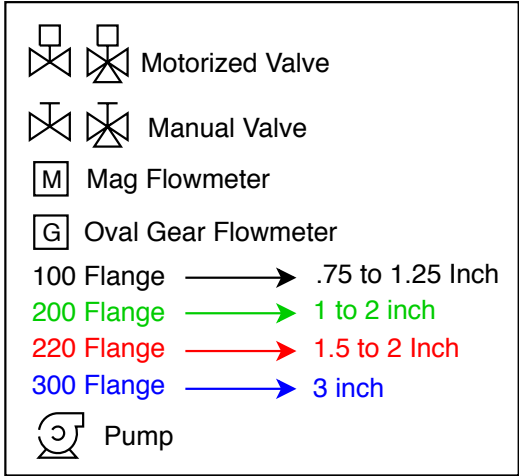


Water and Concentrate Mobile System

Diagram FL-1



This is the most basic system to solve the mixing of the concentrate with water. The product will be pumped separately from the water and will still be mixing in the sprayer tank. The mix will end with water so the pump hose will be rinsed with water. The Mixmate components are in the dashed boxes.